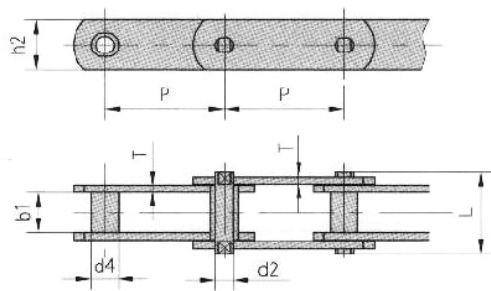
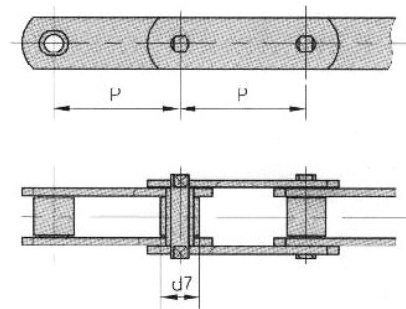


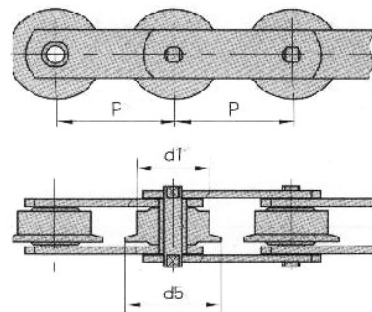
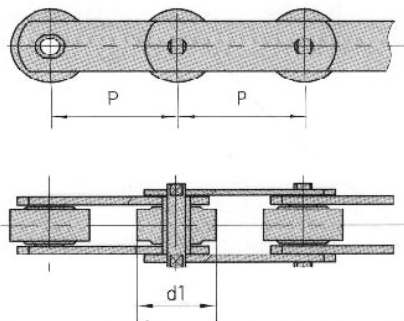
1.24 Cadenas transportadoras de ejes macizos SERIE M



RODILLO GRANDE



RODILLO CON PESTAÑA



ISO CADENA No.	PASO								RODILLOS			∅ CASQUILLO
	P								d1 GRANDE	d7 PEQUEÑO	d5 PESTAÑA	d4 max
	mm								mm	mm	mm	mm
M20	*40.0	50.0	63.0	80.0	100.0	125.0	160.0		25.0	12.50	32.00	9.0
M28	*50.0	63.0	80.0	100.0	125.0	160.0	200.0		30.0	15.00	36.00	10.0
M40	63.0	80.0	100.0	125.0	160.0	200.0	250.0		36.0	18.00	42.00	12.5
M56	*63.0	80.0	100.0	125.0	160.0	200.0	250.0		42.0	21.00	50.00	15.0
M80	80.0	100.0	125.0	160.0	200.0	250.0	315.0		50.0	25.00	60.00	18.0
M112	*80.0	100.0	125.0	160.0	200.0	250.0	315.0	400.0	60.0	30.00	70.00	21.0
M160	*100.0	125.0	160.0	200.0	250.0	315.0	400.0	500.0	70.0	36.00	85.00	25.0
M224	*125.0	160.0	200.0	250.0	315.0	400.0	500.0	630.0	85.0	42.00	100.00	30.0
M315	*160.0	200.0	250.0	315.0	400.0	500.0	630.0		100.0	50.00	120.00	36.0
M450	200.0	250.0	315.0	400.0	500.0	630.0	800.0		120.0	60.00	140.00	42.0

ISO CADENA No.	ANCHO INTERIOR	∅ EJE	LONG. EJE	ANCHO MALLA	ESPEJOR MALLA	CARGA ROTURA
	b1 min	d2 max	L max	h2 max	T max	Q min
	mm	mm	mm	mm	mm	kN/LB
M20	16.0	6.0	35.0	19.0	2.5	20.0/4545
M28	18.0	7.0	40.0	21.0	3.0	28.0/6364
M40	20.0	8.5	45.0	26.0	3.5	40.0/9091
M56	24.0	10.0	52.0	31.0	4.0	56.0/12727
M80	28.0	12.0	62.0	36.0	5.0	80.0/18182
M112	32.0	15.0	73.0	41.0	6.0	112.0/25454
M160	37.0	18.0	85.0	51.0	7.0	160.0/36364
M224	43.0	21.0	98.0	62.0	8.0	224.0/50909
M315	48.0	25.0	112.0	72.0	10.0	315.0/71591
M450	56.0	30.0	135.0	82.0	12.0	450.0/102272