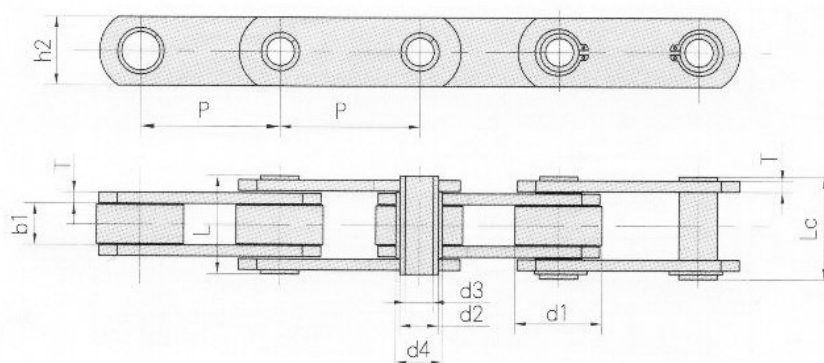
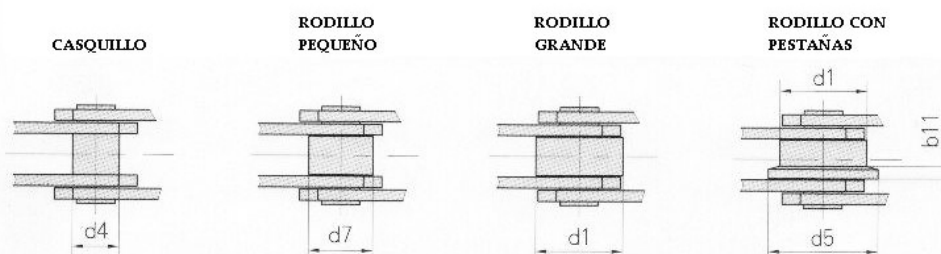


1.25 Cadenas transportadoras de ejes huecos SERIE MC



RODILLOS SEGÚN SIN 8169



ISO CADENA No.	PASO						RODILLOS				\varnothing CASQUILLO	ANCHO MALLA
	P						d1 max	d7 max	d5 max	b11	d4 max	h2 max
	mm						mm	mm	mm	mm	mm	mm
MC28	63.0	80.0	100.0	125.0	160.0		36.0	25.0	45.0	4.5	17.0	25.0
MC56	80.0	100.0	125.0	160.0	200.0	250.0	50.0	30.0	60.0	5.0	21.0	35.0
MC112	100.0	125.0	160.0	200.0	250.0	315.0	70.0	42.0	85.0	7.0	29.0	50.0
MC224	160.0	200.0	250.0	315.0	400.0	500.0	100.0	60.0	120.0	10.0	41.0	70.0

ISO CADENA No.	ANCHO INTERIOR	\varnothing EJE		LONG. EJE		ESPESOR MALLA	CARGA ROTURA
	b1 min	d2 \varnothing EJE	d3 AGUJERO	L max	Lc max	T max	Q min
	mm	mm	mm	mm	mm	mm	kN/LB
MC28	20.0	13.0	8.2	36.0	38.5	3.0	28.0/6364
MC56	24.0	15.5	10.2	45.0	47.5	4.0	56.0/12727
MC112	32.0	22.0	14.3	62.5	64.3	6.0	112.0/25454
MC224	43.0	30.0	20.3	83.0	85.5	8.0	224.0/50909