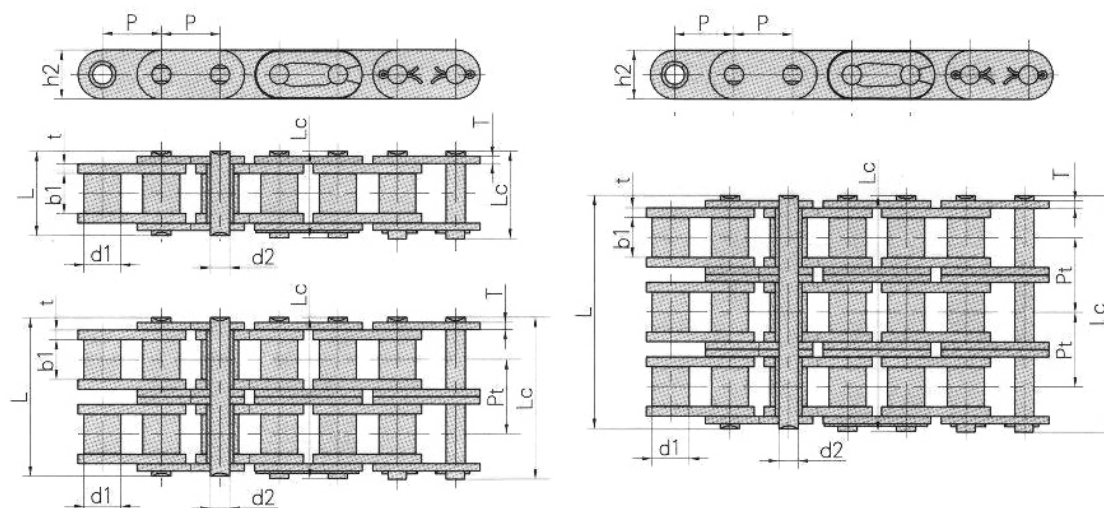


1.19 Cadenas de Rodillos Serie GL malla recta



DIN/ISO	PASO	∅ del rodillo	ANCHO INTERIOR	∅ del eje	LARGO DEL EJE		ANCHO DE LA MALLA	ESPESOR DE LA MALLA	PASO TRANSVERSAL	CARGA DE ROTURA	TENSION MEDIA	PESO POR METRO
CADENA No.	P	d1 max	b1 min	d2 max	L max	Lc max	h2 max	t/T max	Pt	Q min		q
	mm	mm	mm	mm	mm	mm	mm	mm	mm	kN/LB	kN	kg/m
C08B-1	12.700	8.51	7.75	4.45	16.7	18.2	11.8	1.60		18.0/4091	19.5	0.80
C10B-1	15.875	10.16	9.65	5.08	19.5	20.9	14.7	1.70		22.4/5091	27.9	1.06
C12B-1	19.050	12.07	11.68	5.72	22.5	25.2	16.0	1.85		29.0/6591	32.2	1.32
C16B-1	25.400	15.88	17.02	8.28	36.1	39.1	21.0/24.0	4.15/3.1		60.0/13636	72.8	3.08/3.49
C20B-1	31.750	19.05	19.56	10.19	41.3	45.0	26.4	4.5/3.5		95.0/21591	106.7	4.16
C24B-1	38.100	25.40	25.40	14.63	53.4	57.8	33.2	6.0/4.8		160.0/36364	178.0	7.47
C28B-1	44.450	27.94	30.99	15.90	65.1	69.5	36.7	7.5/6.0		200.0/45455	222.0	9.90
C32B-1	50.800	29.21	30.99	17.81	66.0	71.0	42.0	7.0/6.0		250.0/56818	277.5	10.45
C08B-2	12.700	8.51	7.75	4.45	31.2	32.2	11.8	1.60	13.92	32.0/7273	38.7	1.45
C10B-2	15.875	10.16	9.65	5.08	36.1	37.5	14.7	1.70	16.59	44.5/10114	57.8	2.00
C12B-2	19.050	12.07	11.68	5.72	42.0	44.7	16.0	1.85	19.46	57.8/13136	66.1	2.62
C16B-2	25.400	15.88	17.02	8.28	68.0	71.0	21.0/24.0	4.15/3.1	31.88	106.0/24091	133.0	6.10/6.92
C20B-2	31.750	19.05	19.56	10.19	77.8	81.5	26.4	4.5/3.5	36.45	170.0/38636	211.2	8.23
C24B-2	38.100	25.40	25.40	14.63	101.7	106.2	33.2	6.0/4.8	48.36	280.0/63636	319.2	14.77
C28B-2	44.450	27.94	30.99	15.90	124.6	129.1	36.7	7.5/6.0	59.56	360.0/81818	406.8	19.82
C32B-2	50.800	29.21	30.99	17.81	124.6	129.6	42.0	7.0/6.0	58.55	450.0/102273	508.5	20.94
C08B-3	12.700	8.51	7.75	4.45	45.1	46.1	11.8	1.60	13.92	47.5/10795	57.8	2.10
C10B-3	15.875	10.16	9.65	5.08	52.7	54.1	14.7	1.70	16.59	66.7/15159	84.5	2.87
C12B-3	19.050	12.07	11.68	5.72	61.5	64.2	16.0	1.85	19.46	86.7/19705	101.8	3.89
C16B-3	25.400	15.88	17.02	8.28	99.8	102.9	21.0/24.0	4.15/3.1	31.88	160.0/36364	203.7	9.12/10.34
C20B-3	31.750	19.05	19.56	10.19	114.2	117.9	26.4	4.5/3.5	36.45	250.0/56818	290.0	11.34
C24B-3	38.100	25.40	25.40	14.63	150.1	154.6	33.2	6.0/4.8	48.36	425.0/96591	493.0	22.10
C28B-3	44.450	27.94	30.99	15.90	184.2	188.7	36.7	7.5/6.0	59.56	530.0/120454	609.5	29.64
C32B-3	50.800	29.21	30.99	17.81	183.2	188.2	42.0	7.0/6.0	58.55	670.0/152273	770.5	31.27