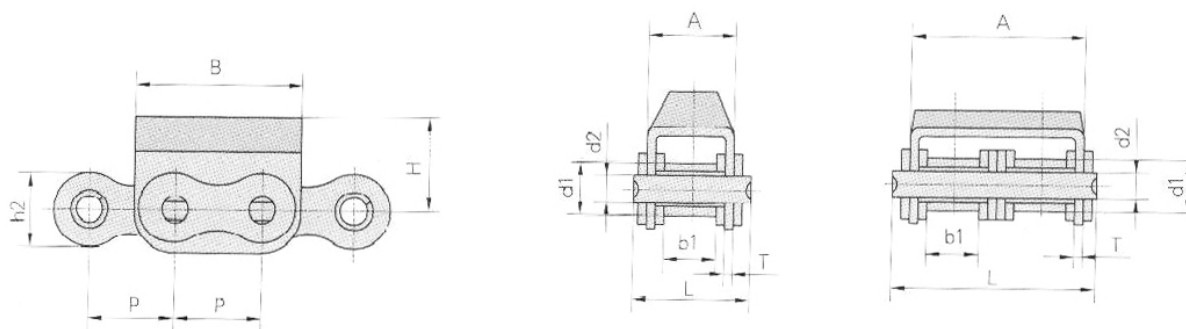
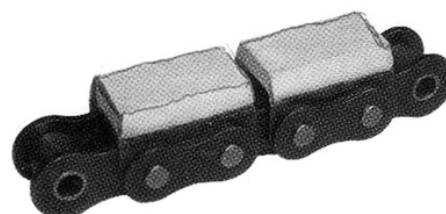
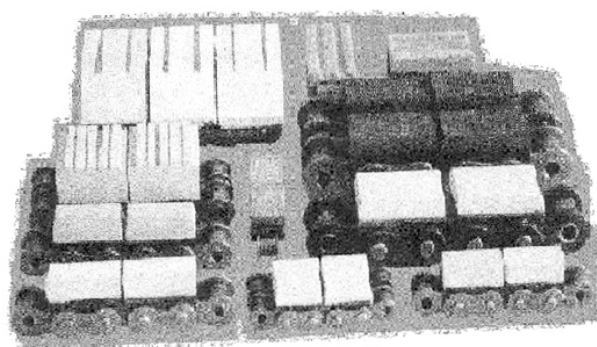


1.23 Cadenas con tacos de goma



CADENA No.	PASO P	∅ del rodillo d1 max	ANCHO INTERIOR b1 min	∅ del eje d2 max	LARGO DEL EJE L max	h2 max	DIMENSIONES DEL PUENTE Y GOMA				CARGA DE ROTURA Q min	PESO POR METRO q
							A	B	H	T		
08B-G1	12.70	8.51	7.75	4.45	20.0	11.8	14.6	24.2	12.3	1.60	18.0/4091	1.19
08B-G2	12.70	8.51	7.75	4.45	34.3	11.8	28.4	24.2	12.3	1.50	32.0/7273	2.07
10B-G1	15.875	10.16	9.65	5.08	23.2	14.7	16.8	30.0	17.0	1.6	19.0/4318	1.62
10B-G2	15.875	10.16	9.65	5.08	39.7	14.7	33.3	30.0	17.0	1.5	44.5/10114	2.56
12B-G1	19.05	12.07	11.68	5.72	25.7	16.0	19.6	36.0	21.0	1.85	29.0/6591	2.01
12B-G2	19.05	12.07	11.68	5.72	45.3	16.0	39.1	36.0	16.0	1.85	57.8/13136	3.21
16A-G1	25.40	15.88	15.75	7.92	37.2	24.0	27.5	46.0	20.0	2.42	42.0/9545	3.97
16B-G1	25.40	15.88	17.02	8.28	39.7	21.0	29.05	49.0	21.4	1.60	58.0/13047	3.83
20B-G1	31.75	19.05	19.56	10.19	48.0	26.4	36.0	57.0	27.0	3.50	85.0/19318	6.19
24B-G1	38.10	25.40	25.40	14.63	61.6	33.2	47.0	72.6	34.0	4.50	160.0/36363	11.25