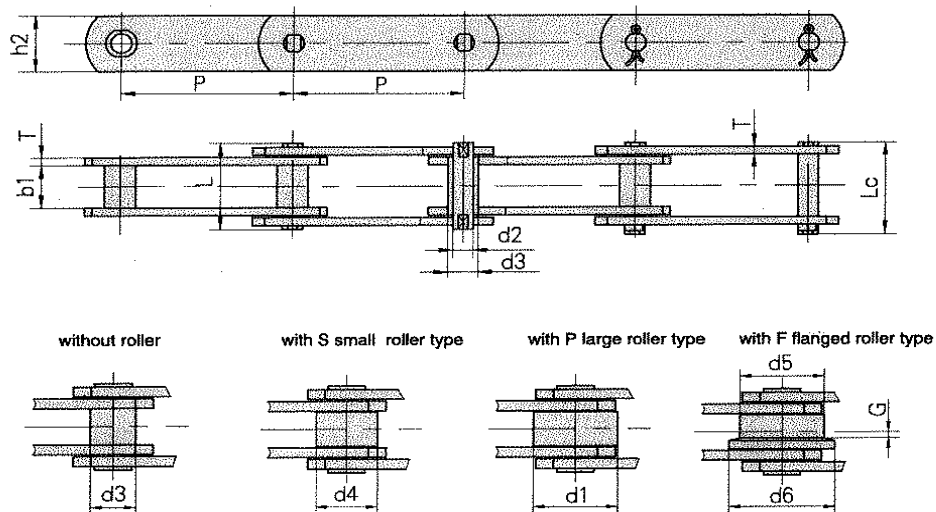


## CADENAS TRANSPORTADORAS DE EJES MACIZOS SERIE FV



| DIN Chain No. | Pitch |       |       |       |       |       |       |    | Roller dimension |        |        |        | Bush diameter |        |
|---------------|-------|-------|-------|-------|-------|-------|-------|----|------------------|--------|--------|--------|---------------|--------|
|               | mm    | mm    | mm    | mm    | mm    | mm    | mm    | mm | d1 max           | d4 max | d5 max | d6 max | G             | d3 max |
| FV40          | 50.0  | 63.0  | 80.0  | 100.0 | 125.0 |       |       |    | 32.0             | 20.0   | 40.0   | 50.0   | 4.0           | 15.0   |
| FV63          | 63.0  | 80.0  | 100.0 | 125.0 | 160.0 |       |       |    | 40.0             | 26.0   | 50.0   | 63.0   | 5.0           | 18.0   |
| FV90          | 63.0  | 80.0  | 100.0 | 125.0 | 160.0 | 200.0 | 250.0 |    | 48.0             | 30.0   | 63.0   | 78.0   | 6.5           | 20.0   |
| FV112         | 100.0 | 125.0 | 160.0 | 200.0 | 250.0 |       |       |    | 55.0             | 32.0   | 72.0   | 90.0   | 7.5           | 22.0   |
| FV140         | 100.0 | 125.0 | 160.0 | 200.0 | 250.0 |       |       |    | 60.0             | 36.0   | 80.0   | 100.0  | 9.0           | 26.0   |
| FV180         | 125.0 | 160.0 | 200.0 | 250.0 | 315.0 |       |       |    | 70.0             | 42.0   | 100.0  | 125.0  | 13.0          | 30.0   |
| FV250         | 160.0 | 200.0 | 250.0 | 315.0 | 400.0 |       |       |    | 80.0             | 50.0   | 125.0  | 155.0  | 15.0          | 36.0   |
| FV315         | 160.0 | 200.0 | 250.0 | 315.0 | 400.0 |       |       |    | 90.0             | 60.0   | 140.0  | 175.0  | 18.0          | 42.0   |

| DIN Chain No. | Width between inner plates | Pin diameter | Pin length |        | Plate depth | Plate thickness | Ultimate tensile strength |              |
|---------------|----------------------------|--------------|------------|--------|-------------|-----------------|---------------------------|--------------|
|               | b1 min                     | d2 max       | L min      | Lc max | h2 max      | T max           | Q min                     | *Q min       |
|               | mm                         | mm           | mm         | mm     | mm          | mm              | KN/LB                     | KN/LB        |
| FV40          | 18.0                       | 10.0         | 36.0       | 39.0   | 25.0        | 3.0             | 40.0/9091                 | 47.0/10681   |
| FV63          | 22.0                       | 12.0         | 45.0       | 48.5   | 30.0        | 4.0             | 63.0/14317                | 75.0/17045   |
| FV90          | 25.0                       | 14.0         | 53.0       | 56.5   | 35.0        | 5.0             | 90.0/20453                | 115.0/26136  |
| FV112         | 30.0                       | 16.0         | 62.0       | 66.0   | 40.0        | 6.0             | 112.0/25452               | 170.0/38636  |
| FV140         | 35.0                       | 18.0         | 67.0       | 71.5   | 45.0        | 6.0             | 140.0/31815               | 180.0/40908  |
| FV180         | 45.0                       | 20.0         | 86.0       | 92.0   | 50.0        | 8.0             | 180.0/40908               | 250.0/56817  |
| FV250         | 55.0                       | 26.0         | 97.0       | 103.5  | 60.0        | 8.0             | 250.0/56817               | 300.0/68181  |
| FV315         | 65.0                       | 30.0         | 113.0      | 126.5  | 70.0        | 10.0            | 315.0/71591               | 480.0/109089 |

\* Q Mayor carga de rotura con mallas endurecidas.